



LED NEON FLEX

NDR1112 Vertical LED Neon Flex

Features

- Unique extrusion process and electronic design can be bent in the vertical.
- Adopting quality silicone material and one step moulding production technique.
- Special extrusion workmanship, smart in size, with good bending performance
- Making it easy to cut and join according to different applications.
- Cutting mark by every 50mm(1.97 inch).
- 5 year warranty

Specification

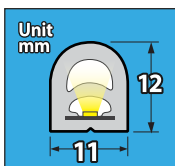
Item Code	Colour	CCT(K)/Wavelength	Luminous Flux(lm)	Efficacy(lm/W)
SA 1AK	Pure white	6,000	813	67
SA 1AJ	Warm white	3,000	670	64
SA 1AB	Red	620-625	353	30
SA 1AE	Blue	465-467.5	173	14
SA 1AD	Green	520-522	797	67
SA 1AC	Yellow	587-589.5	772	62



Technical Characteristics

Power Consumption	12W/M
Voltage	DC24V
Current Dissipation	0.5A
Viewing Angle	146°
IP Rating	IP67
CRI (Ra)	80+
Dimmable	Dimmable

Dimensions (mm)



LED Type	2835 LED
LED Quantity	120pcs/M
Cutable Length	50mm
Available Length	5M / 10M

Temperature Ranges

Operating temperature	-20~60°
Storage temperature	-20~70°

Warranty

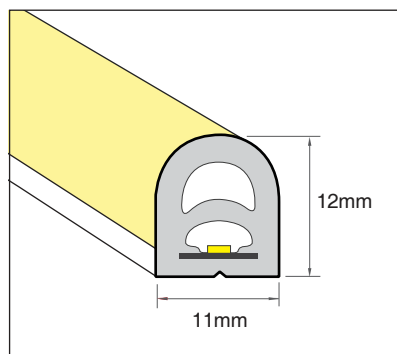
Warranty	5 Years
----------	---------

Physical Characteristics

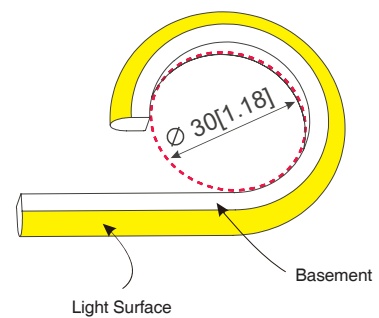
Dimensions(L*W*H)	5000*11*12mm
Weight	872g/(5M) / 1.1kg(10M)

Profile Drawings

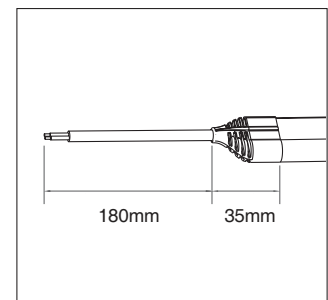
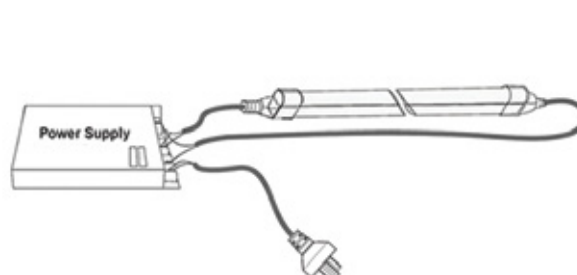
Sectional View



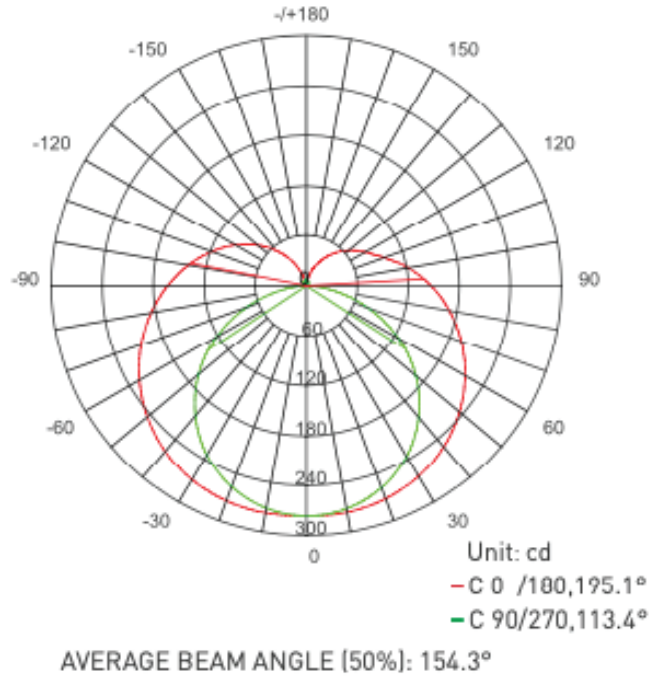
Minimum Bending Diameter



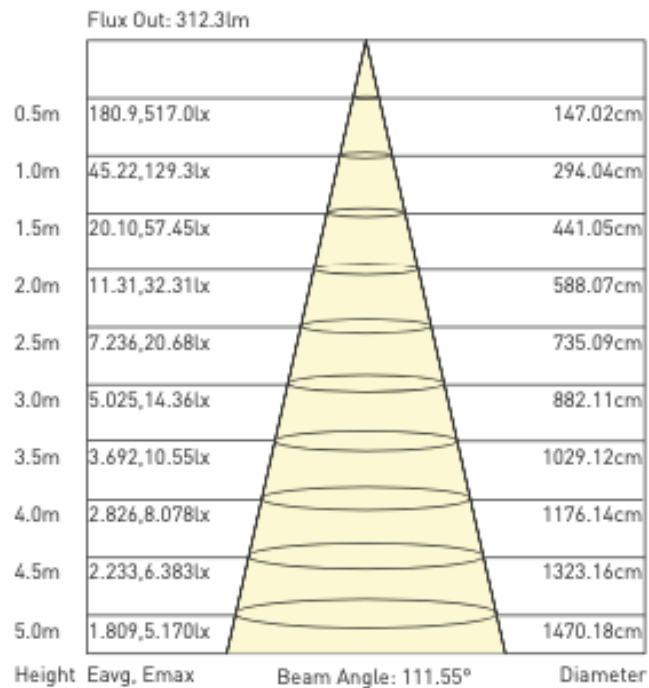
Double end feed



| Luminous Intensity Distribution Diagram



| Average Illumination



| Accessories

End cap



Without Hole
SA 1AL



Straight Hole
SA 1AM

Mount



Clear Mount 15mm
SA 1AN



AL Clear Mount 25mm
SA 1AQ



AL Clear Mount 1M
SA 1AR